

WIRELESS PERSONAL COMMUNICATIONS SYSTEMS

INTERSYSTEM OPERATIONS INTERIM STANDARD 41

DAVID GOODMAN
DEPARTMENT OF ELECTRICAL AND
COMPUTER ENGINEERING
POLYTECHNIC UNIVERSITY

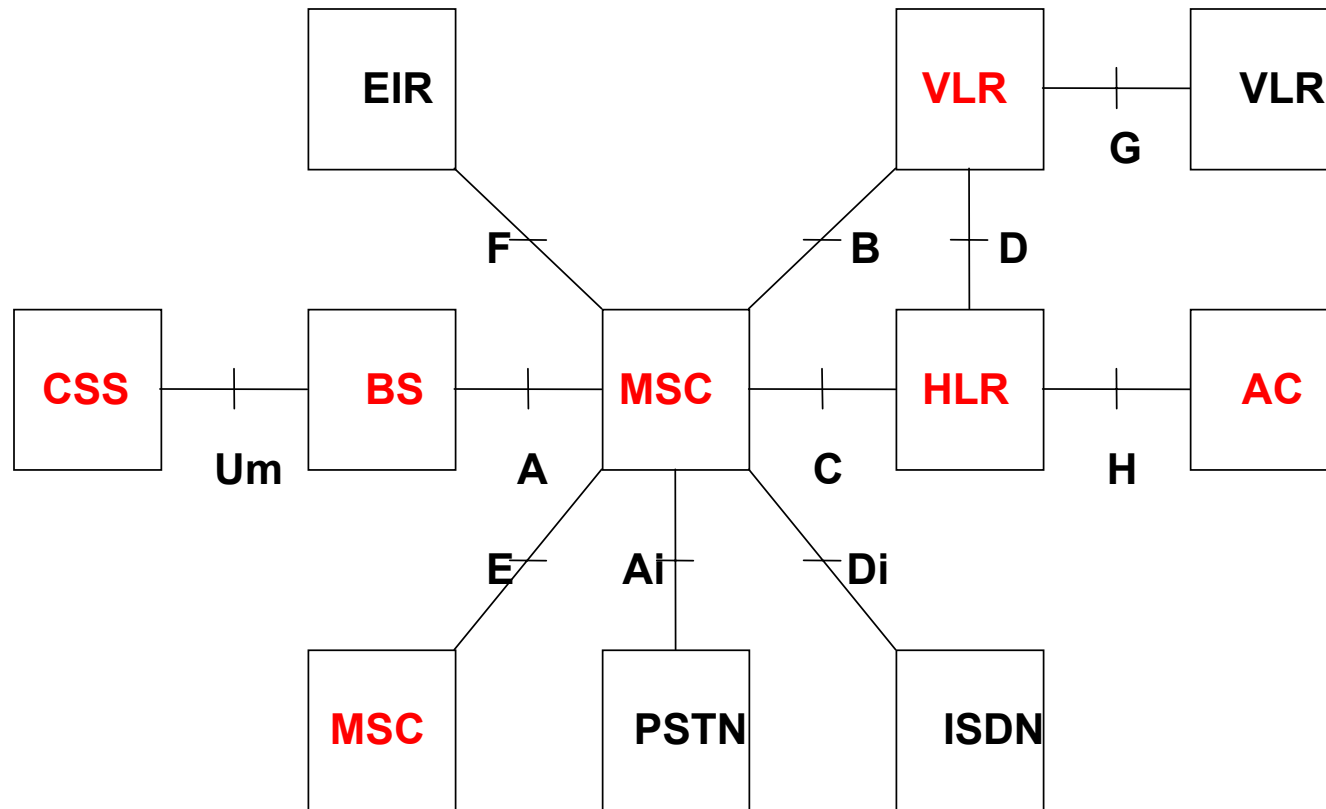
dgoodman@poly.edu

718-260-3221

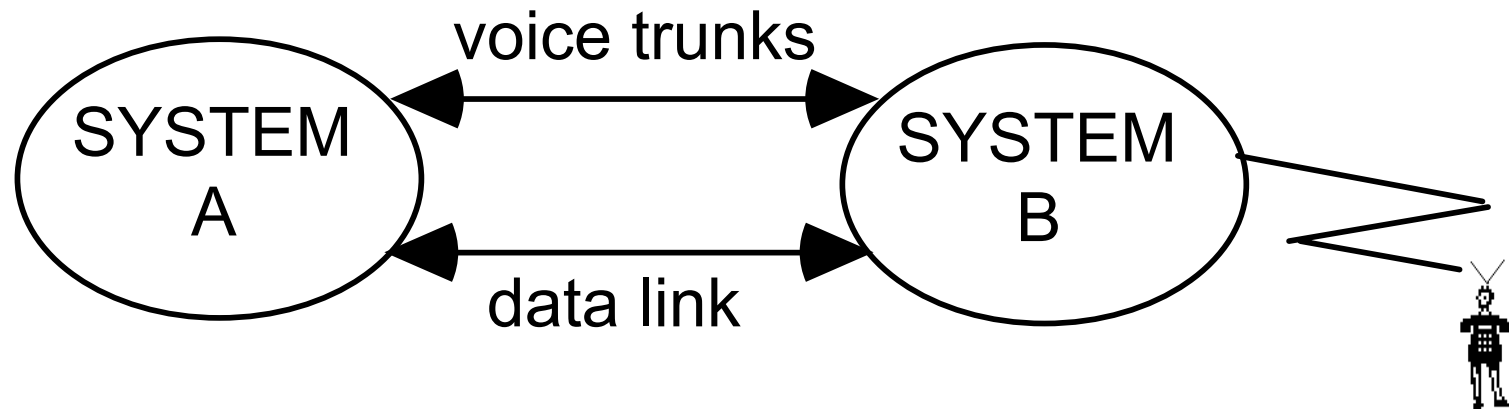
Functions

- Intersystem handoff (base stations with difference MSCs)
- Roaming: services provided by a system that is not the terminal's home system
 - Registration
 - Call origination
 - Call to a terminal

IS - 41 Architecture

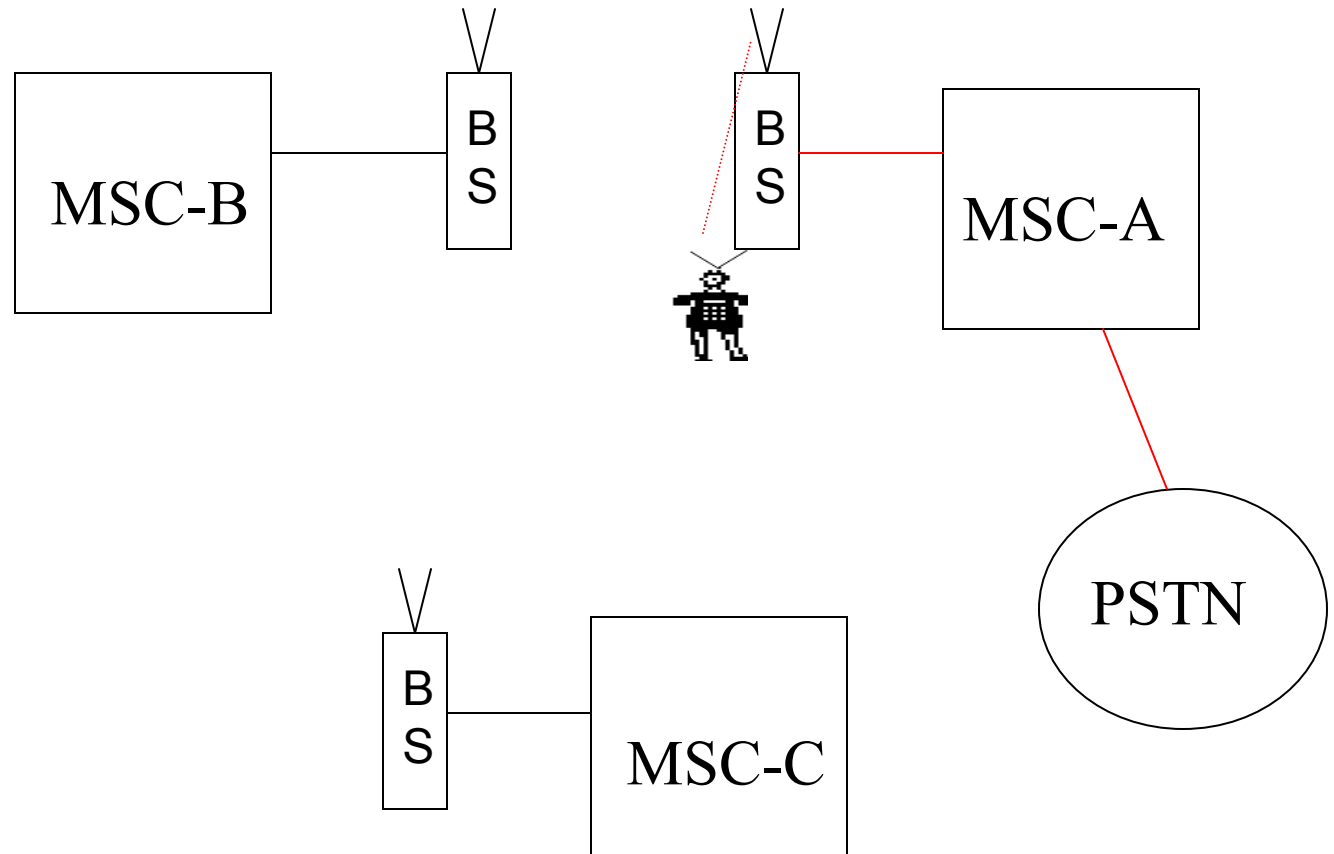


Communications for Intersystem Handoff



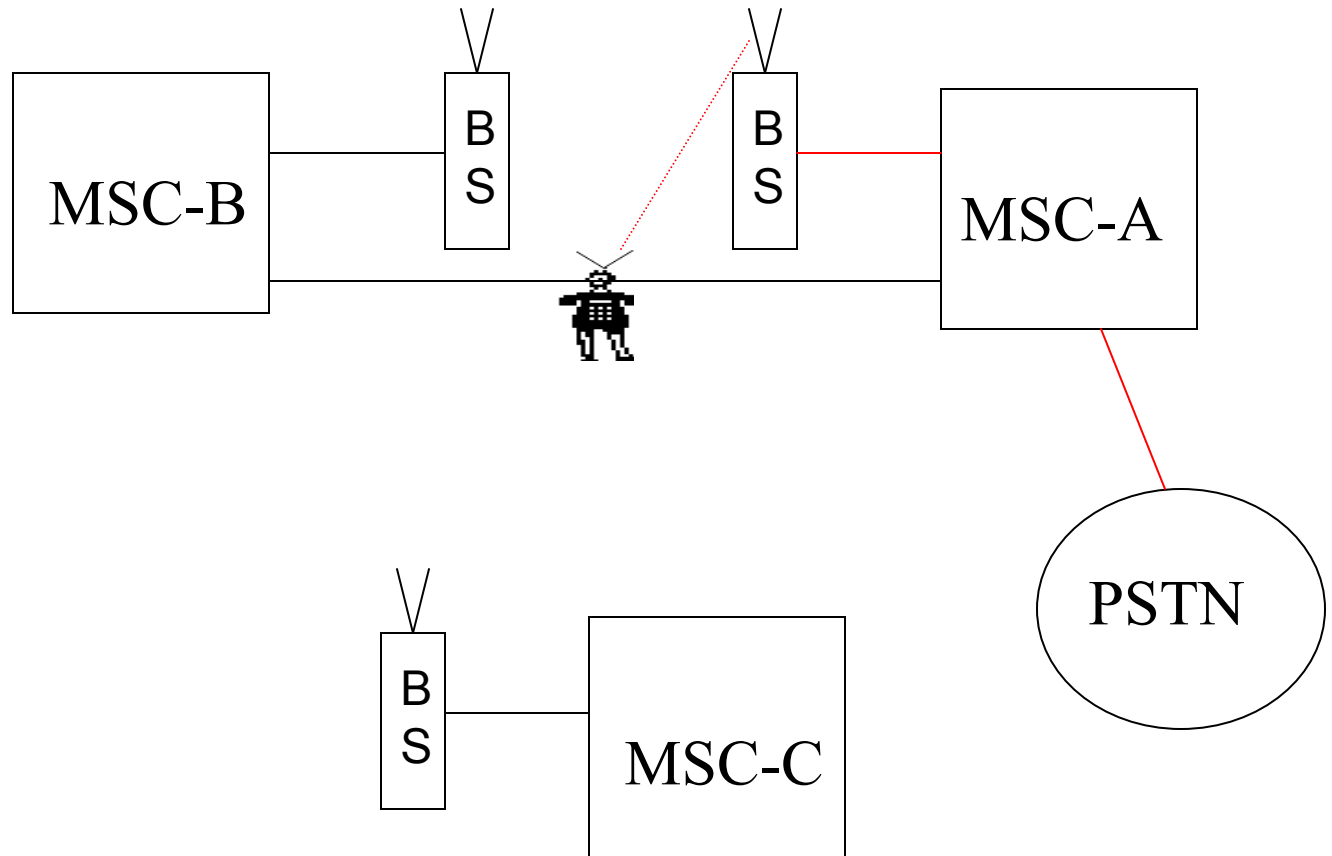
Start of Call

MSC – A is anchor and serving MSC



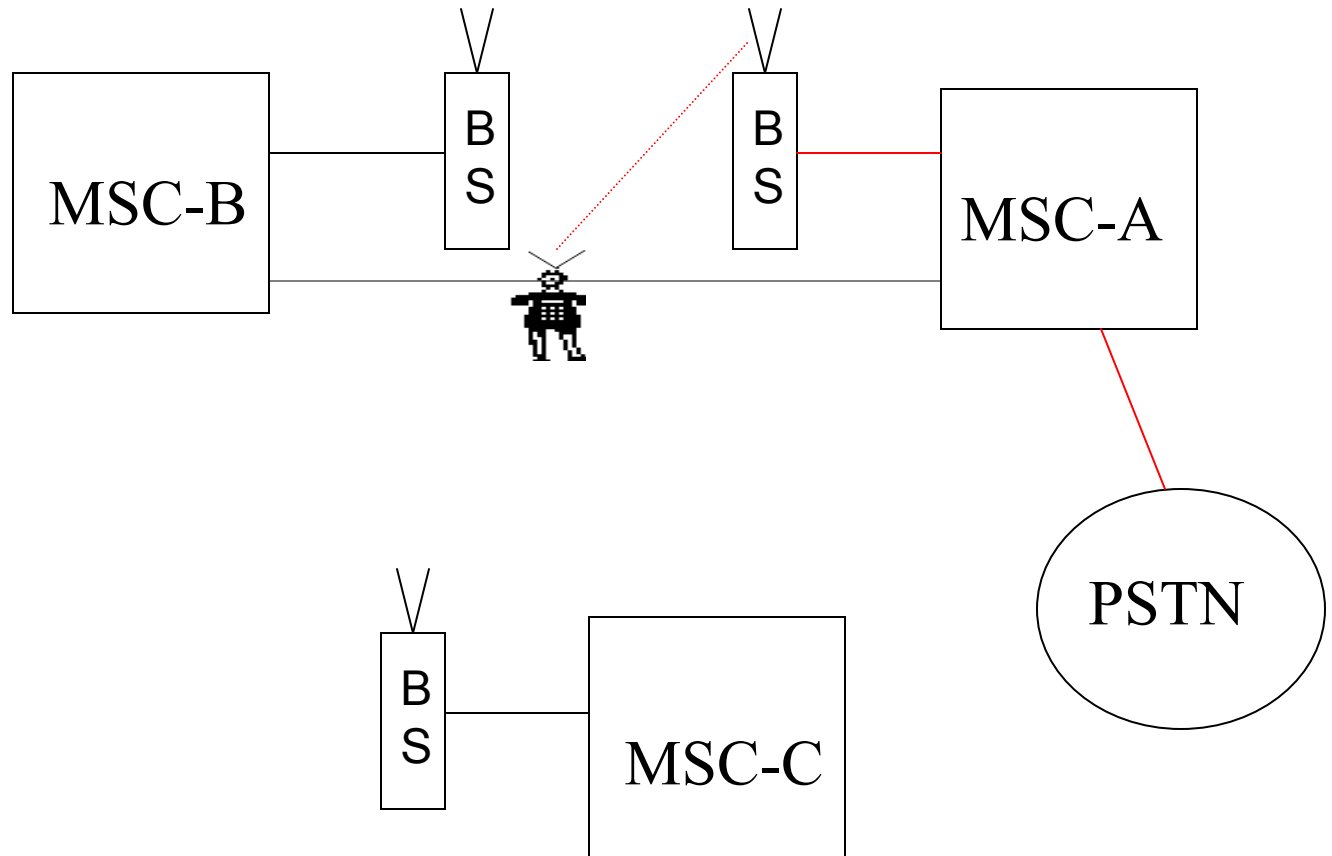
Terminal moves

MSC – B is candidate



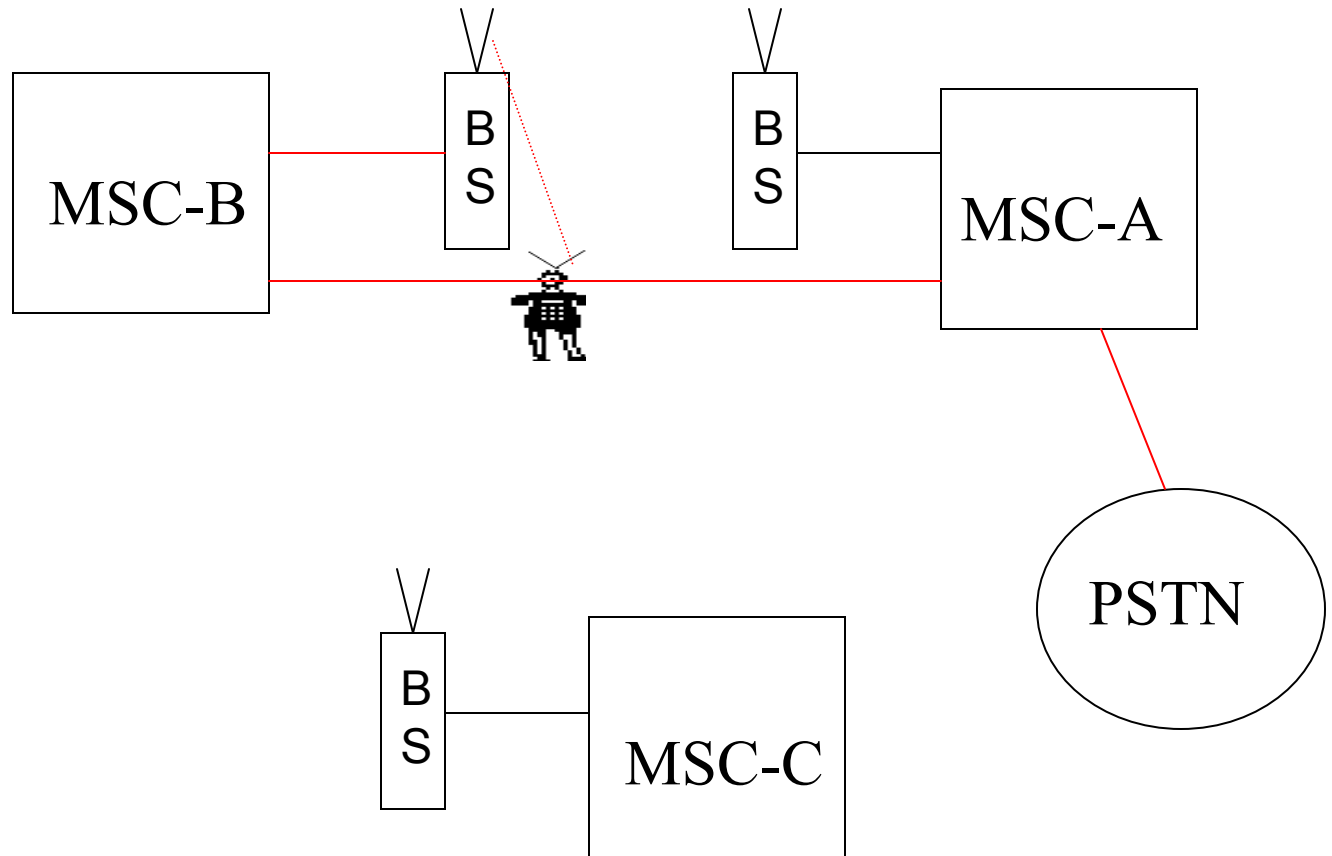
Terminal moves

MSC – B is target

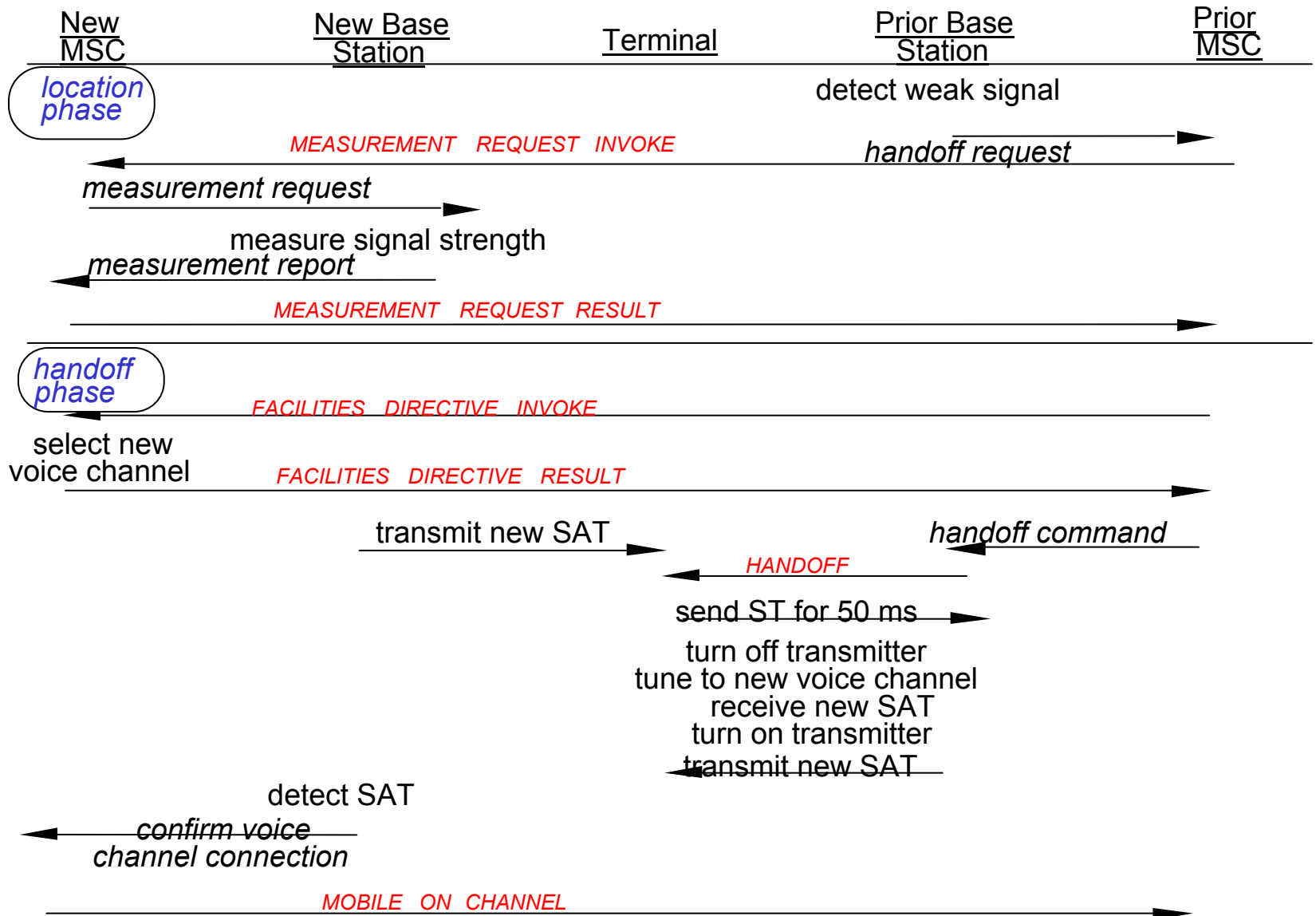


Handoff forward

MSC – B is serving

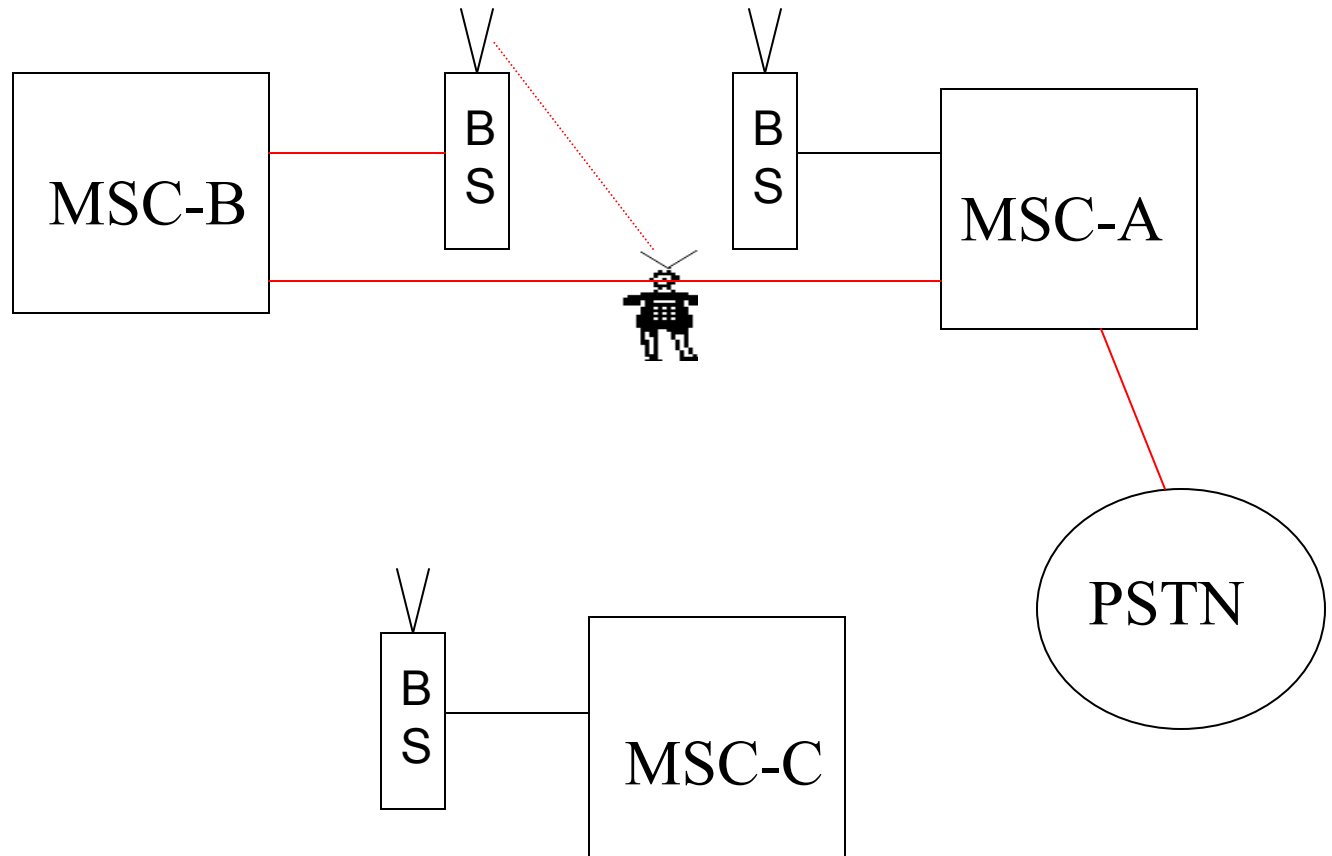


Messages for handoff forward



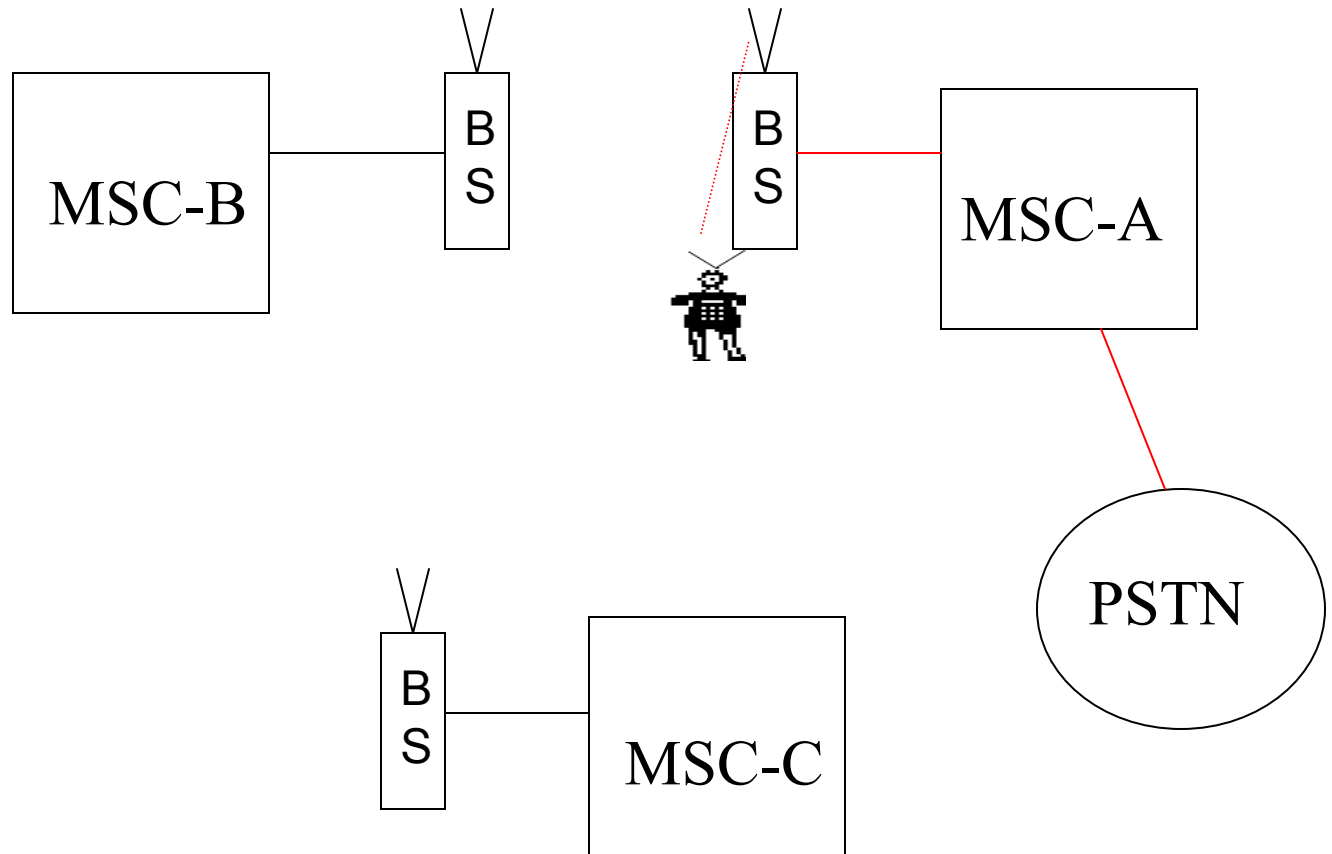
Terminal moves

MSC – A is candidate then target



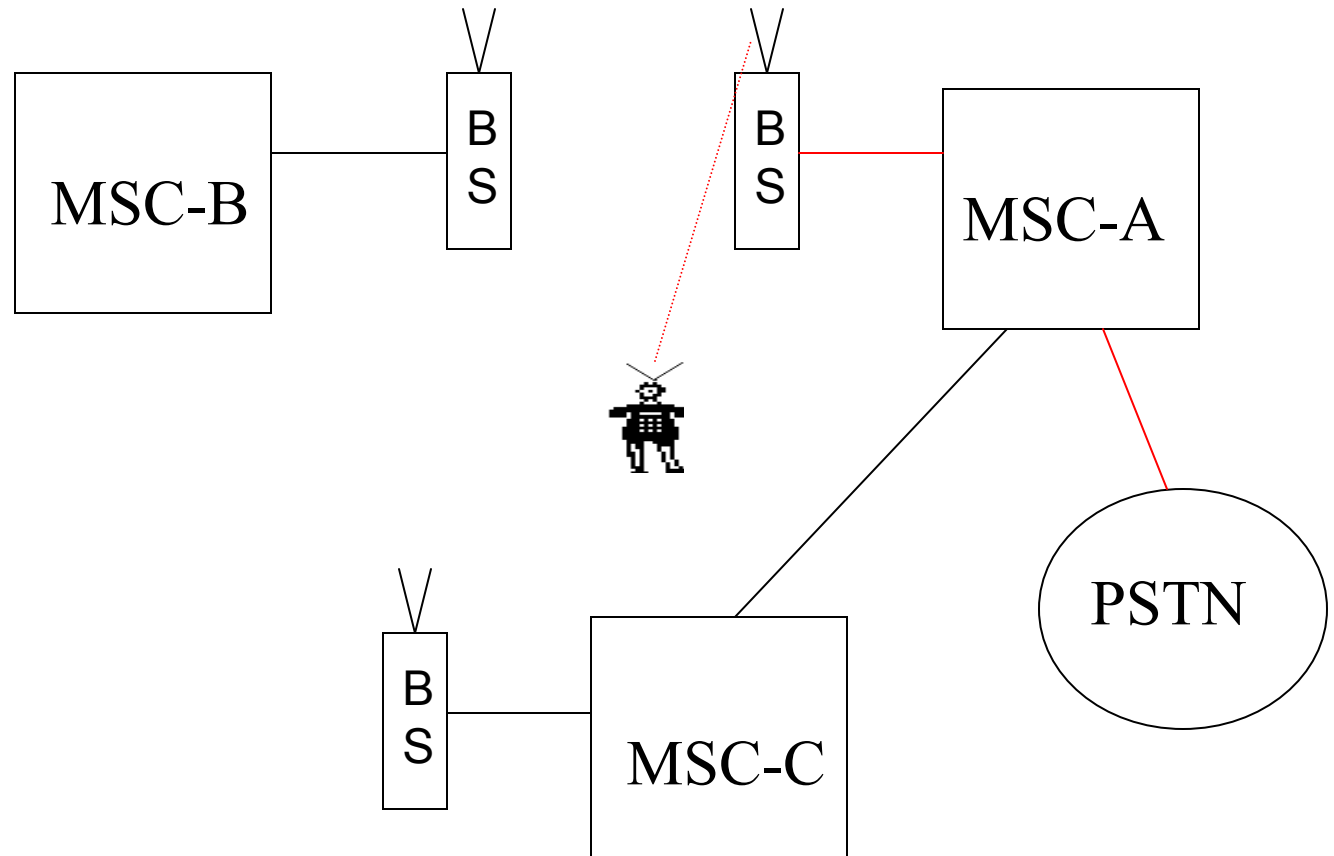
Handoff back

MSC – A is serving



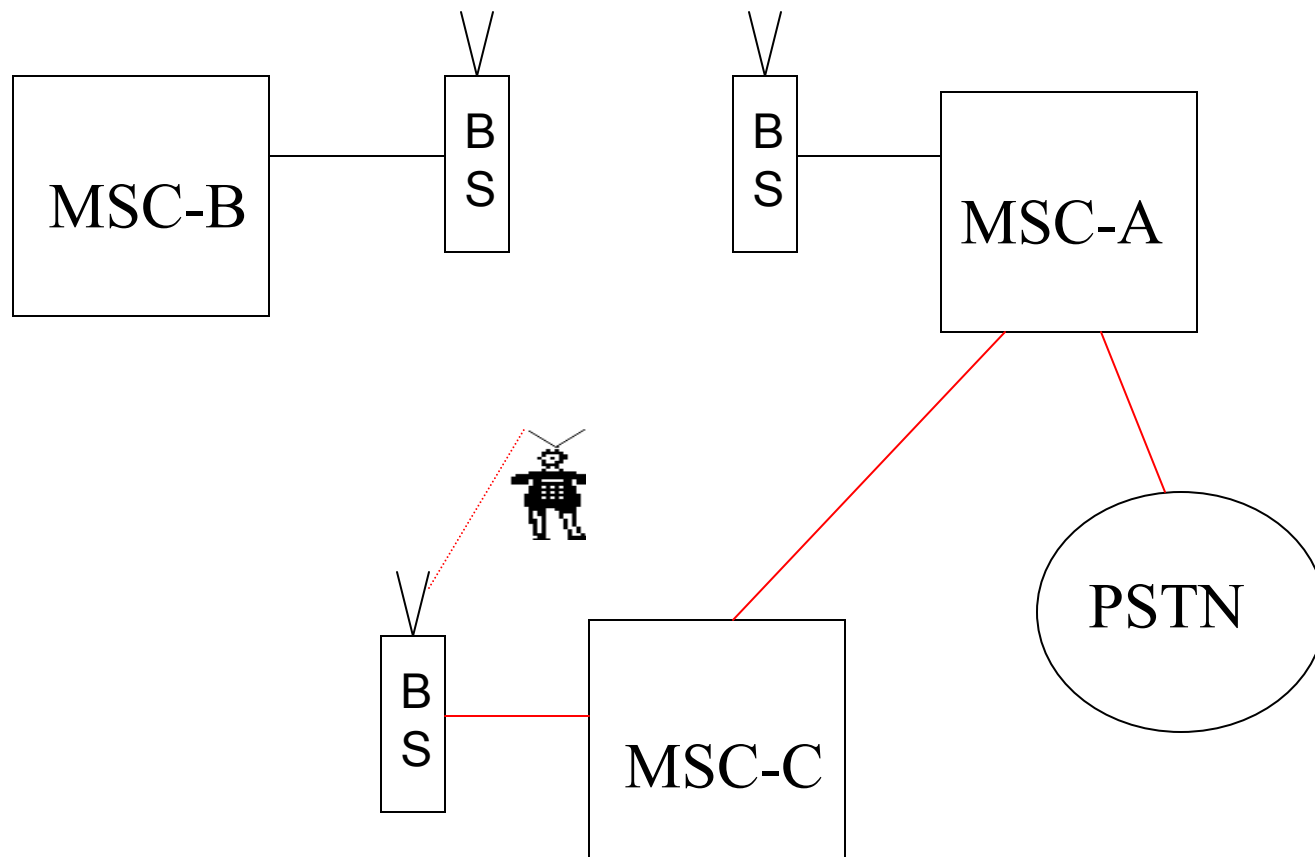
Terminal moves

MSC – C is candidate then target



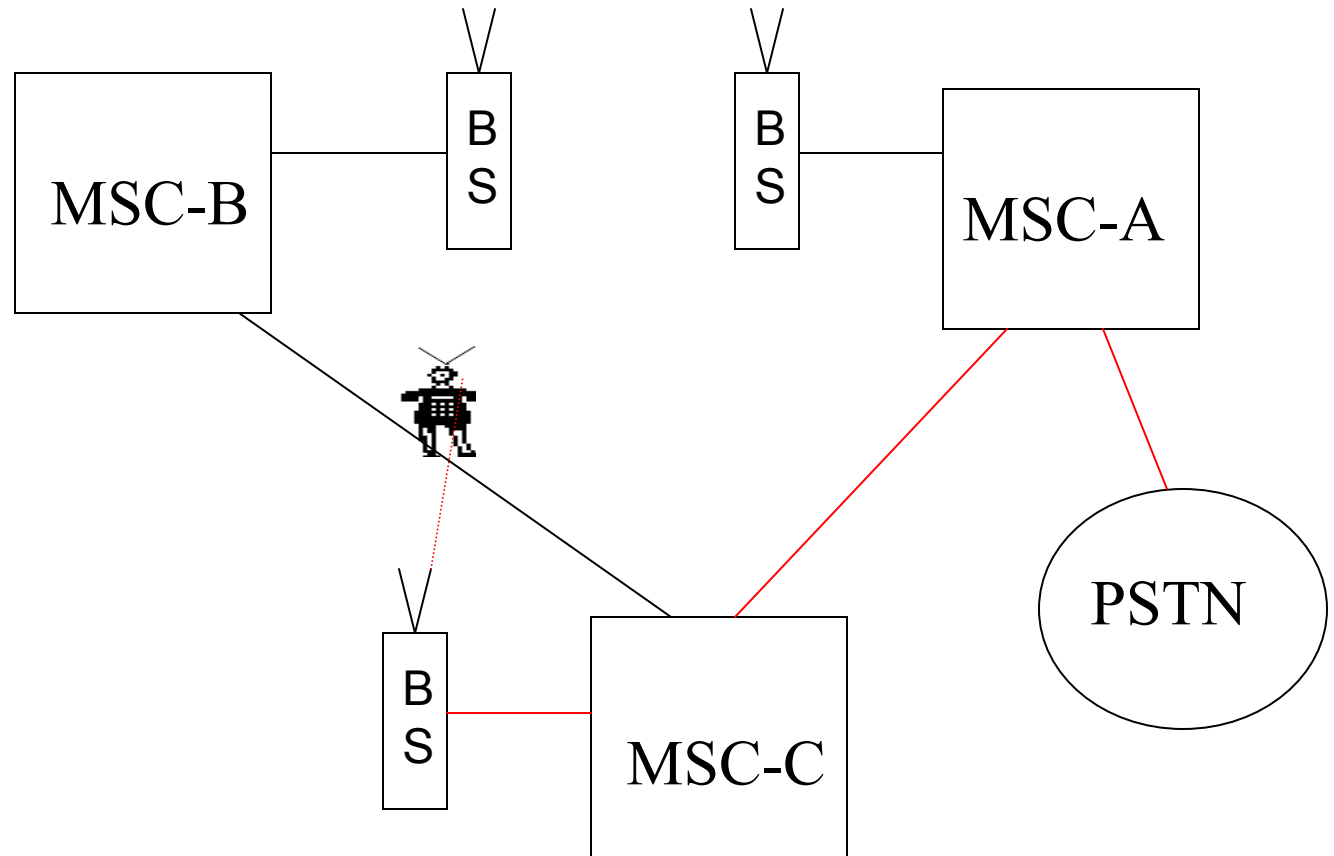
Handoff forward

MSC – C is serving



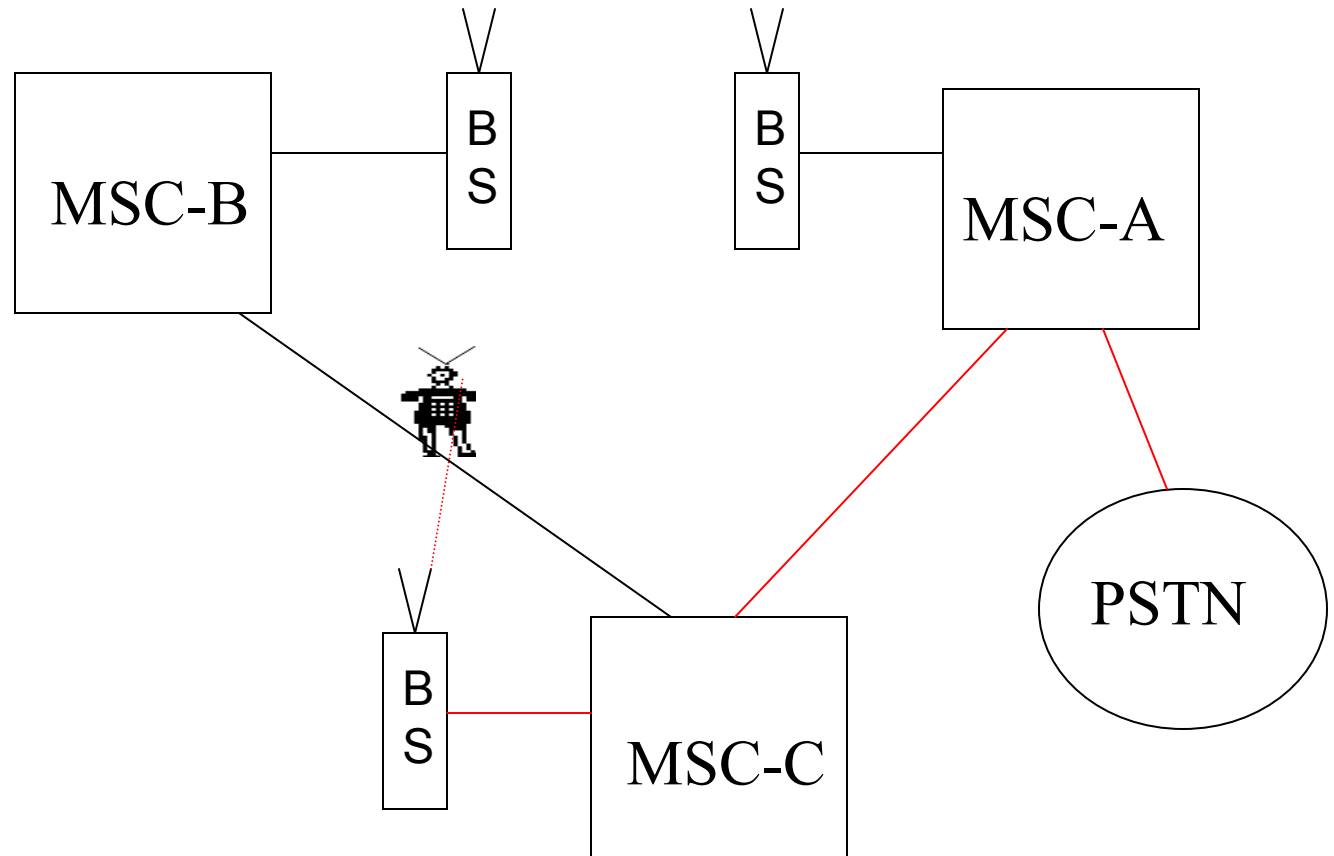
Terminal moves

MSC – B is candidate then target



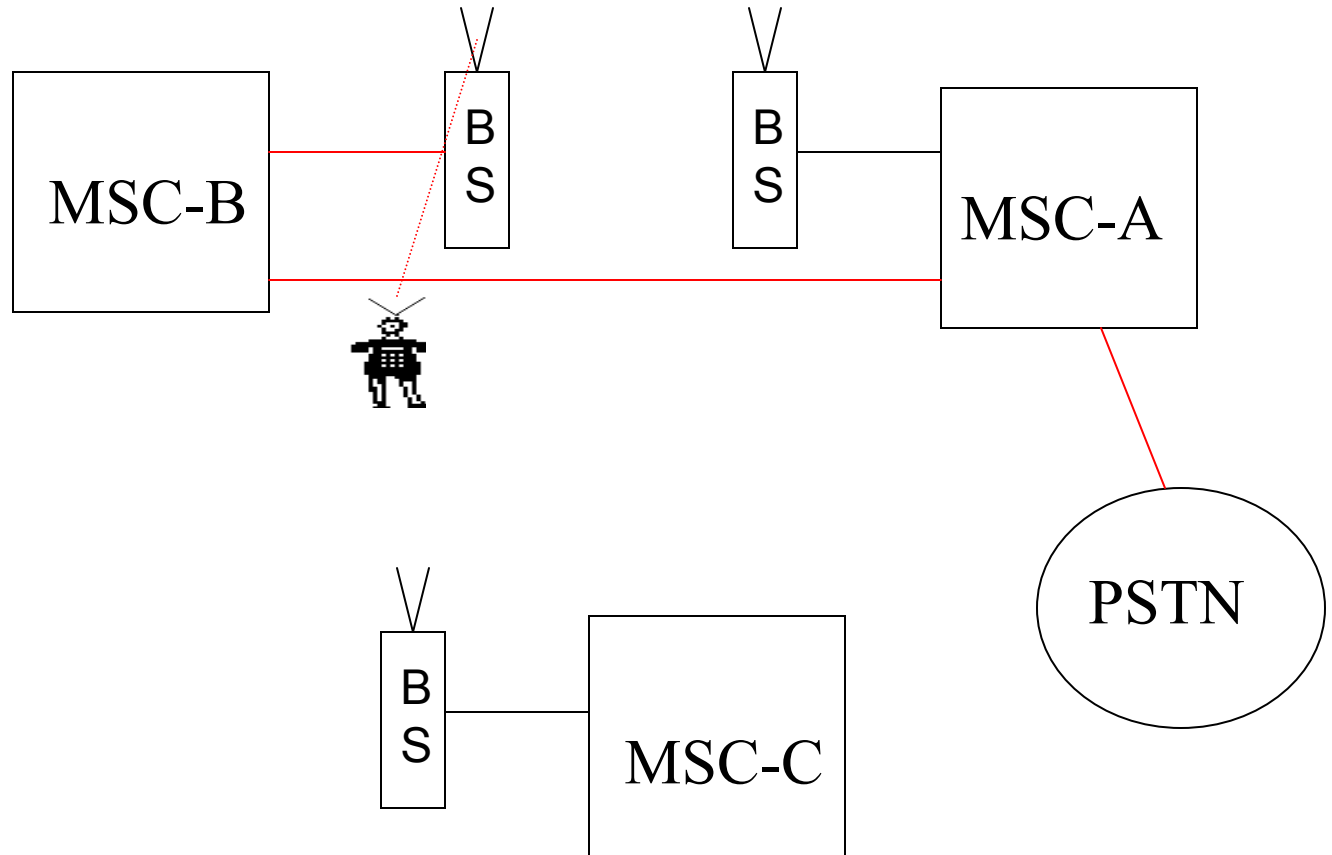
Terminal moves

MSC – B is candidate then target

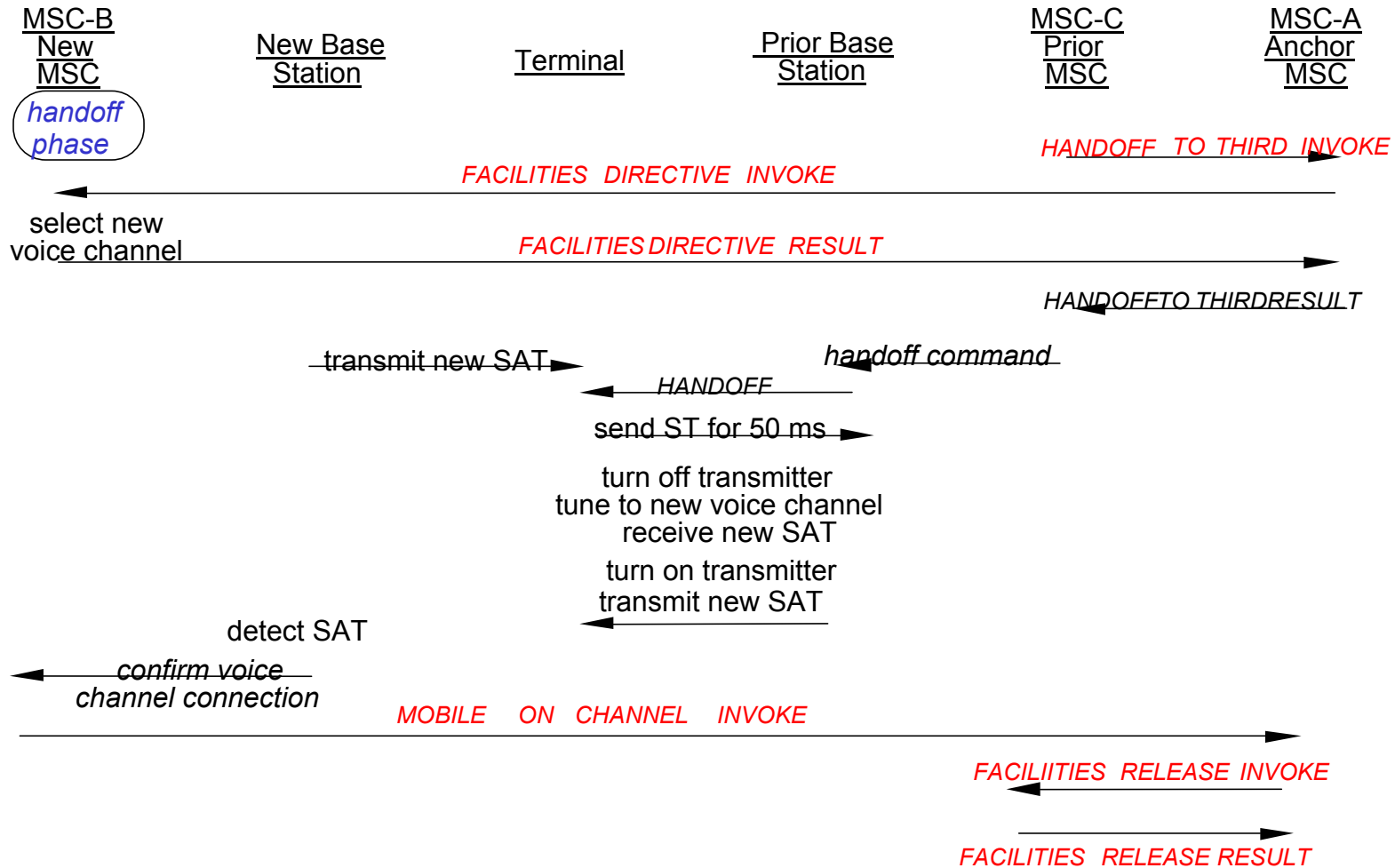


Handoff to third

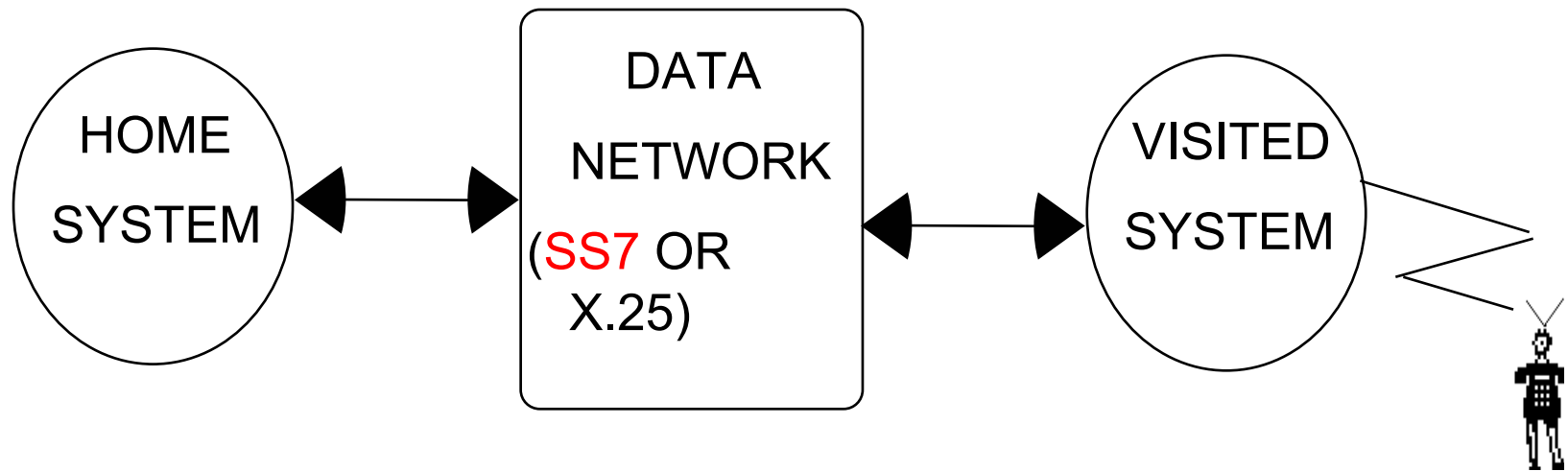
MSC – B is serving



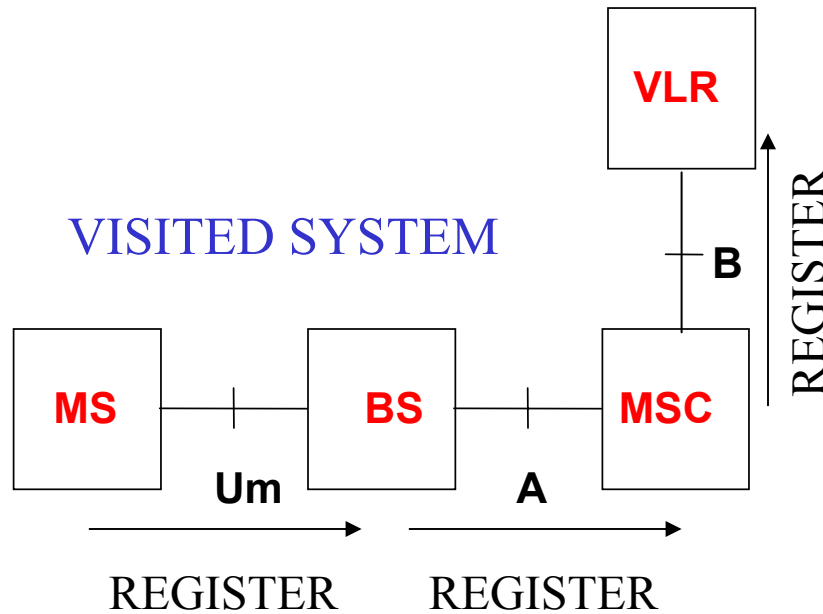
Messages for handoff to third (AMPS)



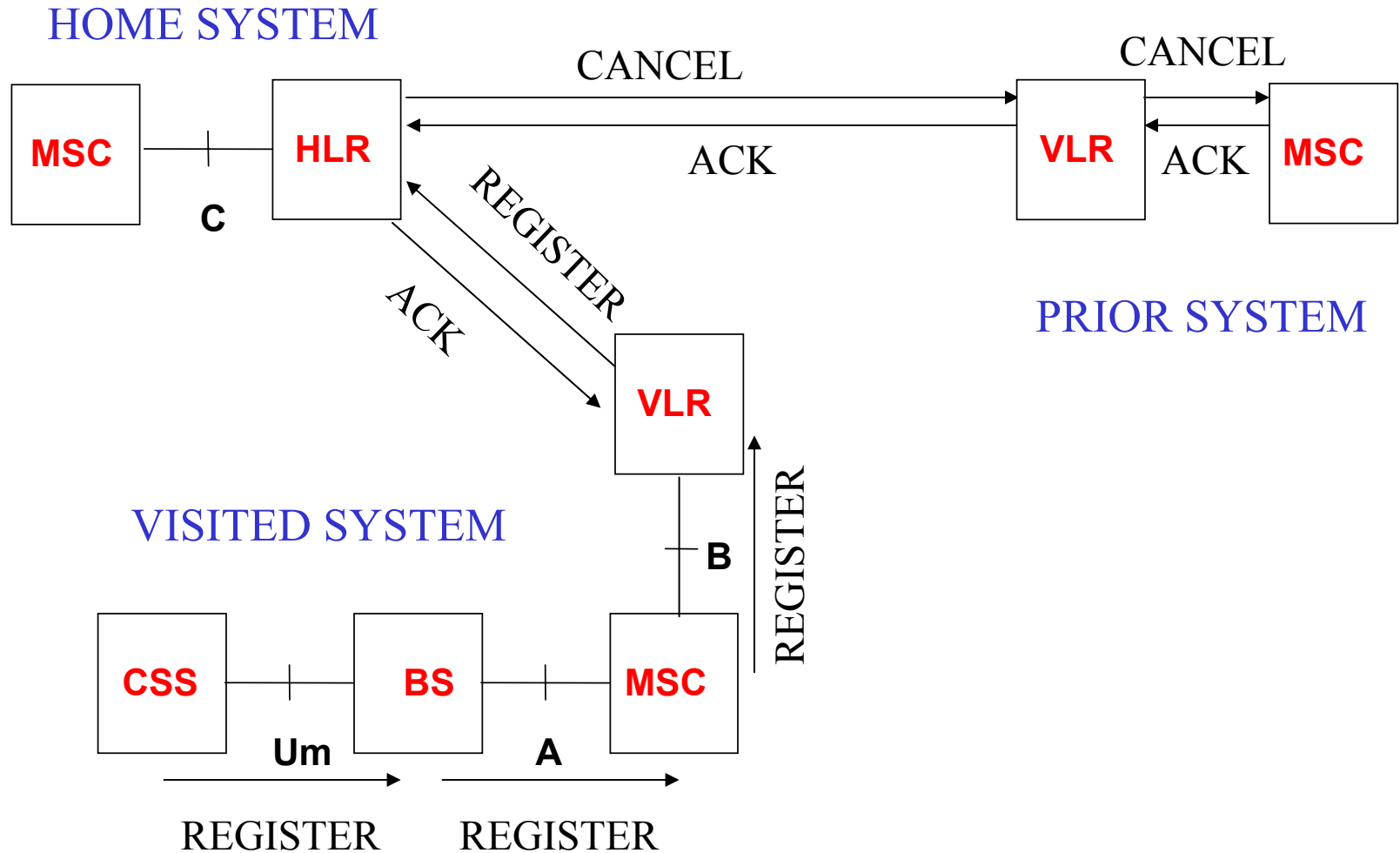
Communications for Roaming



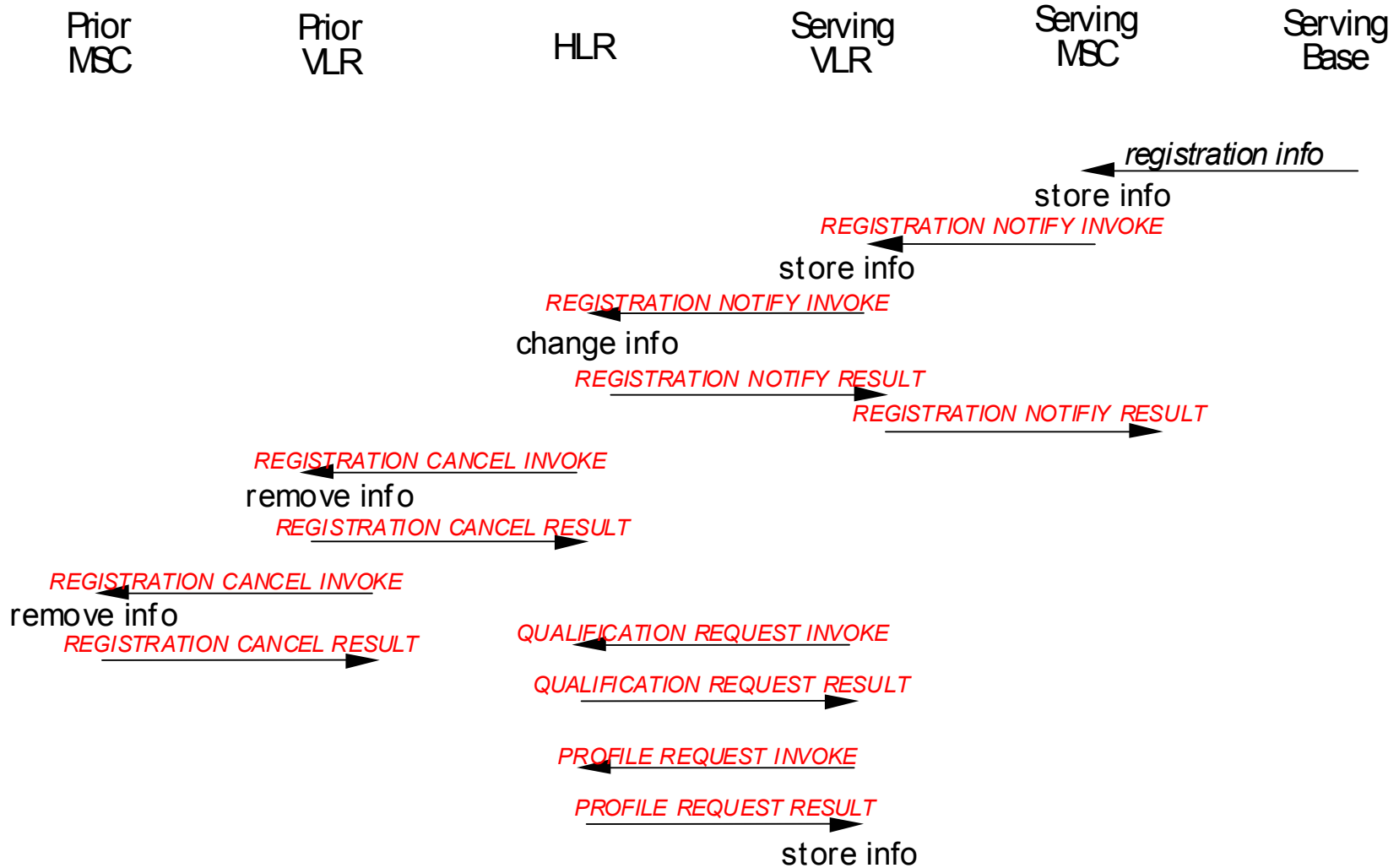
REGISTER



REGISTER



Registration



Call to a roaming subscriber

